

Click object to rotate

BLACK Pro

Single Monoblock 60mm LNB ,3° for 80cm dish
IDLB-SINM60-MN003-8PP

This monoblock LNB was designed for dual satellite reception. It can be used for satellite broadcast reception of any two satellites spaced with 3° degrees, on an 80cm dish antenna, and its distribution to a single tuner Set-top box. It is optimized for High Definition transmissions, provides excellent Noise Figure performance and manufactured to the highest industry quality standards.

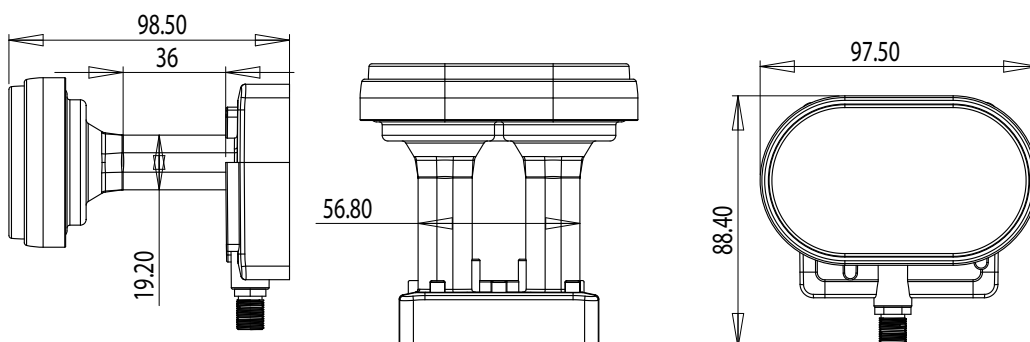
Monoblock
60mm

Main Features

- Low phase Noise HDTV-DVBS2 compliant
- Low Noise figure of 0.2 dB
- Low Power consumption
- Very high Cross-Pole performance
- Very high Frequency stability

Technical Specifications

Recommended dish size	75 - 85 cm
Low Band I/P Frequency Range	10.7~11.7 GHz
O/P Frequency Range	950~1950 MHz
LO Frequency	9.75 GHz
High Band I/P Frequency Range	11.7~12.75 GHz
O/P Frequency Range	1100~2150 MHz
LO Frequency	10.6 GHz
Noise Figure	0.2dB Typ. (0.7dB Max.)
LO Initial Accuracy	+/- 1.0 MHz max.
LO Temperature Drift	+/- 3.0 MHz max.
LO Phase Noise @ 10K Hz	-90 dBc/Hz max.
Conversion Gain	50 ~ 65 dB
Gain Variation	8 max. dB
Image Rejection	40 [min] dB
O/P 1 dB Compression Point	0.0 [min.] dBm
Crosstalk Isolation	18 [min] dB
O/P VSWR	2.5 : 1~
DC Power	120 (max.) mA
Working Temperature	- 30 ~ + 60
Output Impedance	75 Ω
Weight	220 g
Polarity, Band & Satellite Selection (V,Lo, S A)	Vertical, Low band , Sat:A
Polarity, Band & Satellite Selection (V,Hi, SA)	Vertical, High band , Sat:A
Polarity, Band & Satellite Selection (H,Lo, SA)	Horizontal, Low band , Sat:A
Polarity, Band & Satellite Selection (H,Hi, SA)	Horizontal, High band , Sat:A
Polarity, Band & Satellite Selection (V,Lo, SB)	Vertical, Low band , Sat:B
Polarity, Band & Satellite Selection (V,Hi,SB)	Vertical, High band , Sat:B
Polarity, Band & Satellite Selection (H,Lo, SB)	Horizontal, Low band , Sat:B
Polarity, Band & Satellite Selection (H,Hi, SB)	Horizontal, High band , Sat:B



For purpose of brevity, some product descriptions in this sheet remain at platform level and may not be referred to as detailed datasheets of the products. Inverto Digital Labs reserves the right to amend, omit or add products, product-lines, and/ or features without notice.

FTA communication Technologies Tel. +352 264 367 1 Fax. +352 264 313 68

www.inverto.tv
sales@inverto.tv
STBsupport@inverto.tv