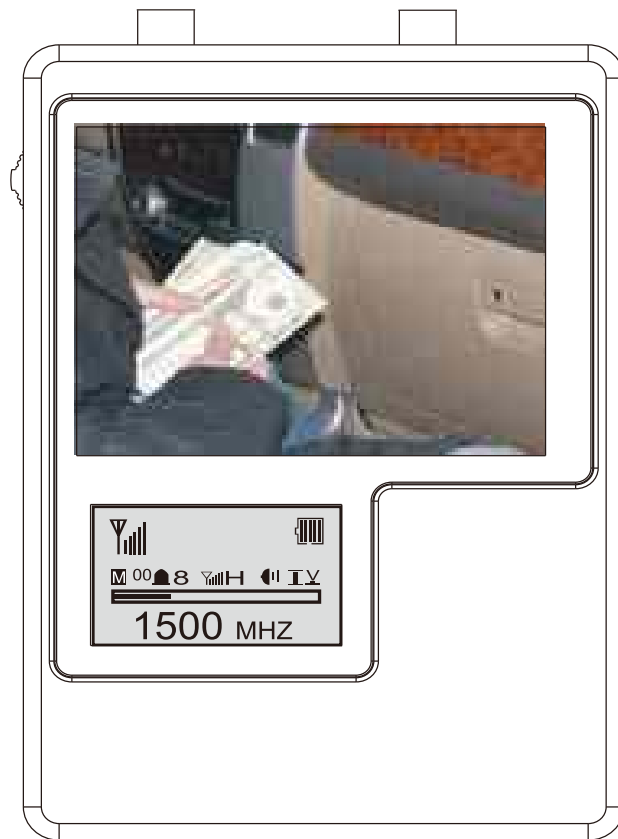
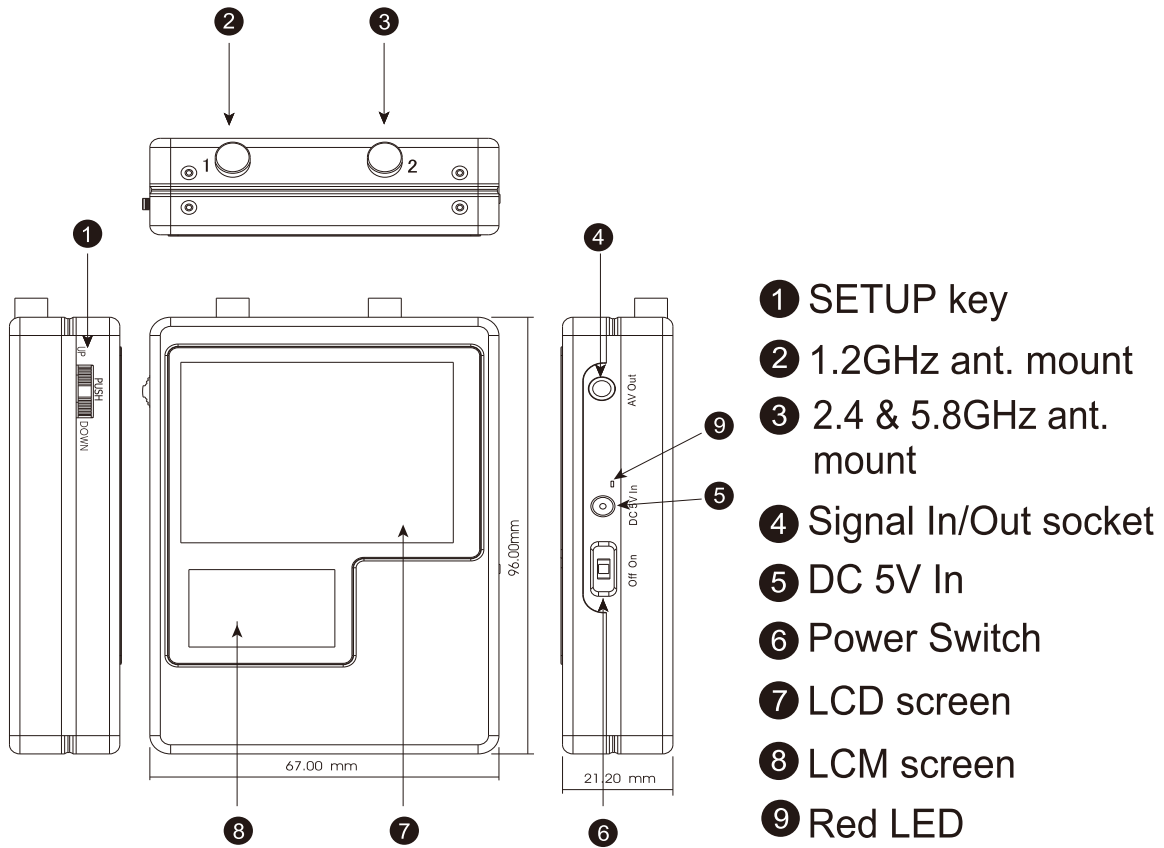


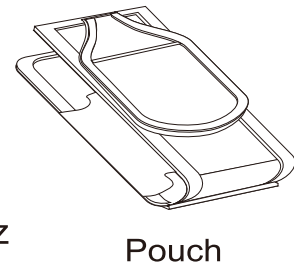
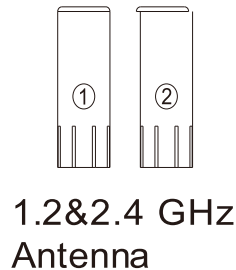
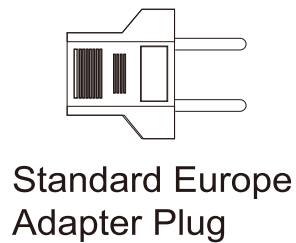
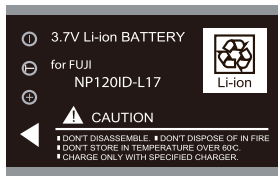
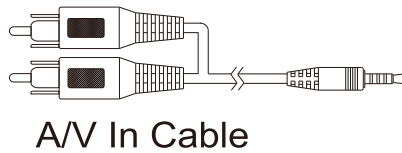
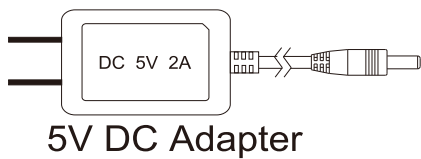
Wireless Camera Hunter Operation Manual



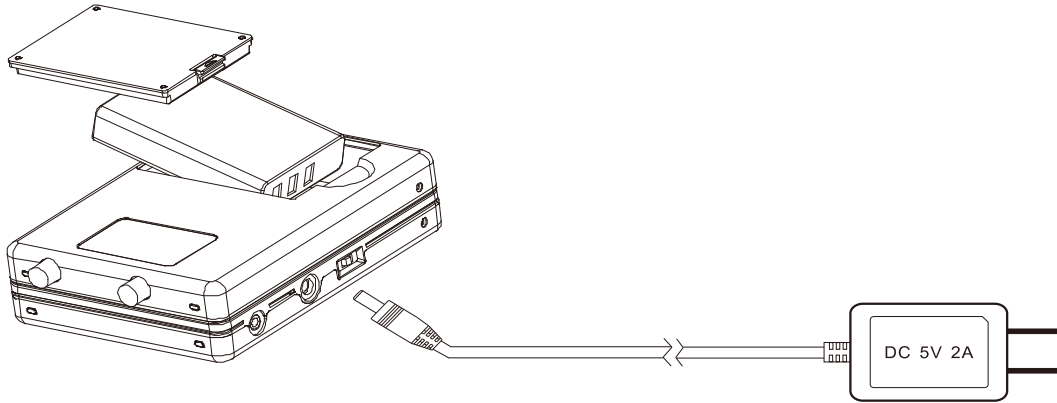
1. Name and Parts



2. Package Content



3. Charging Battery

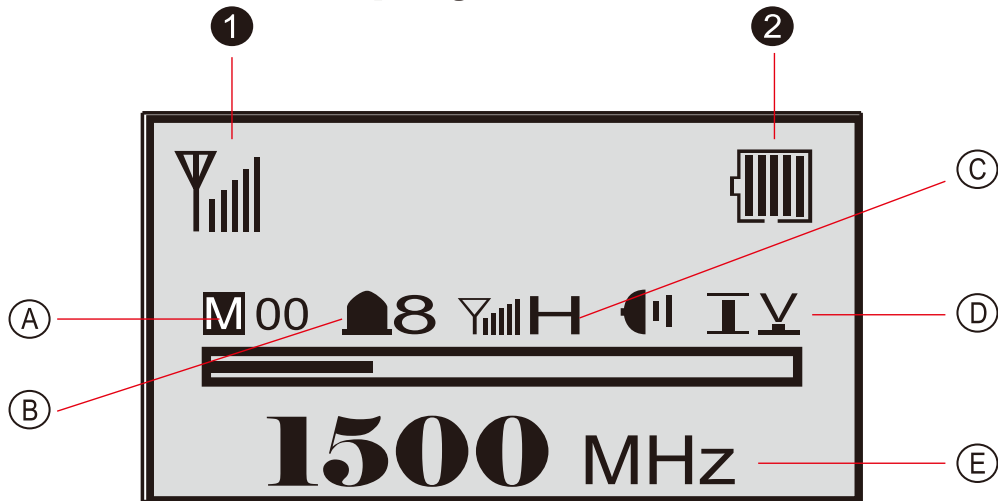


1. Remove battery cover on back of the unit. Slide the supplied battery at about 45 degree angle to the battery compartment. Please be aware of +/- direction.
2. Connect the supplied power adaptor to an AC wall outlet and attached the other end of the cord to socket ⑤.
3. When charging the battery, the LED ⑨ will illuminate red. Once the battery is fully charged, the LED will turn off.
(The charging time is approximately 3 ~ 4 hours depending on the battery remaining power.) Please charge the battery for 8 hours on the first-time use.

4. Setting

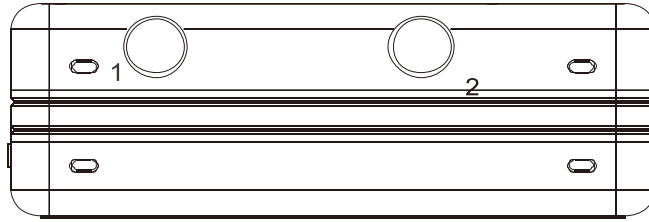
1. Enter setting:
Turn on the device, press and hold the SETUP key ① for 3 seconds then release it. The icon will be blinking on the LCM ⑧, scroll the SETUP key upward or downward to change setting.
2. Change setting:
Press the SETUP key ① once to confirm change and move on to next setting.
3. Exit setting:
Press and hold the SETUP key ① again for 3 seconds. The device will return to scanning mode.

5. Functional Display Illustration



A. Scanning Mode					
M00	MEX	M30	M60		
Standard scanning mode	EXT. AV input mode	30 Sec. interval mode	60 sec. interval mode		
B. Signal Dwell Time					
8	4	2			
8 seconds	4 seconds	2 seconds			
C. Receiver Sensitivity					
UH	MH	M	L	H	ML
Ultra High /-75dBm	Medium High /-50dBm	Medium /-40dBm	Low /-20dBm	High /-60dBm	Medium Low /-30 dBm
D. Beep & Vibration Alert Setting					
BI	BY	II	IY		
Alert on/Vibrate Off	Alert on/Vibrate On	Alert Off/Vibrate Off	Alert Off/Vibrate On		
E. Scanning Frequency					
1. Signal Strength		2. Battery Widget			

6. Operation



1. Antenna connector:

Plug antenna 1 to port 1 **2** and antenna 2 to port 2 **3**. You can find the indication printed on the antennas as well as on the ports. Screw the antenna's base clockwise until it locks into place.

2. Power switch:

The power switch is on the side of the device **6**. When the unit is turned on, it starts scanning the signal automatically. Make sure the antenna is screwed tightly to its position to avoid poor reception.

3. Frequency scanning:

Whenever a wireless A/V signal is detected, the image will be displayed on the screen **7** and stays for few seconds. The length of time depends on your setting. You have the option to lock the channel by scroll upward or downward the SETUP key **1** to lock the channel or else it will pass on and continue scanning.

4. Manual scanning:

Scroll upward or downward the SETUP key **1** to scan manually.

5. Low battery alert:

When the battery gets low, the battery icon will blink. Charge the battery immediately.

6. External video input:

To connect external video to the device, change to EX mode by setup key **1**. Make sure the connector is plugged properly to the Signal In/Out socket **4**, otherwise it will display no signal detected.

