

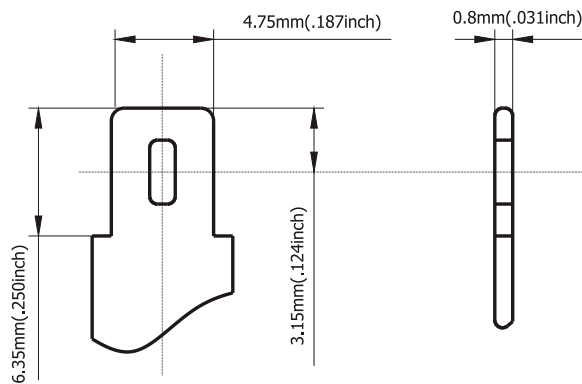
UL 7 - 6
6V 7AH
STANDBY

Ultrace//[®]
 'Quality in Every Language'

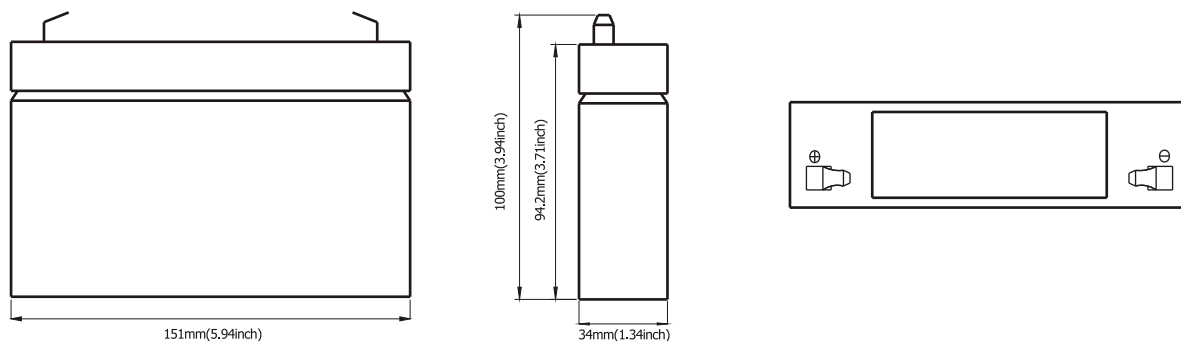
Image



Terminal Type



Dimensions



Specifications

Battery Model	UL 7 - 6			
Designed Floating Life	5 Years			
Capacity (25°C)	20HR (0.35A, 1.75V)	10HR (0.665A, 1.75V)	5HR (1.19A, 1.75V)	1HR (4.2A, 1.55V)
	7AH	6.65AH	5.95AH	4.2AH
Dimensions	Length	Width	Height	Total Height
	151mm	34mm	94.2mm	100mm
Approx. Weight	1.36Kg			
Internal Resistance	Fully Charged at 25°C 0.013 Ohm			
Self Discharge	3% of capacity declined per month at 25°C			
Capacity Affected by Temperature	40°C	25°C	0°C	-15°C
	102%	100%	85%	65%
Charge Voltage (25°C)	Cycle Use		Float Use	
	7.2-7.5V (-12mV/C), max. Current: 2.1A		6.75-6.9V (-9mV/C)	

Construction

Component	Raw material	Sealant	Epoxy Resin
Positive	Lead dioxide	Safety Valve	EPDR
Negative	Lead	Terminal	Copper
Container	ABS (Flame Retardant optional)	Separator	Fibre Glass
Cover	ABS (Flame Retardant optional)	Electrolyte	Sulphuric acid
<i>Sealed and maintenance free option</i>		<i>Non-spillable construction design</i>	

UL 7 - 6

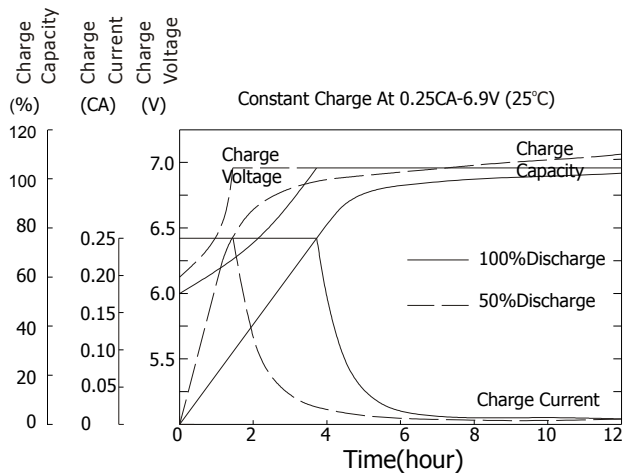
6V 7AH

STANDBY

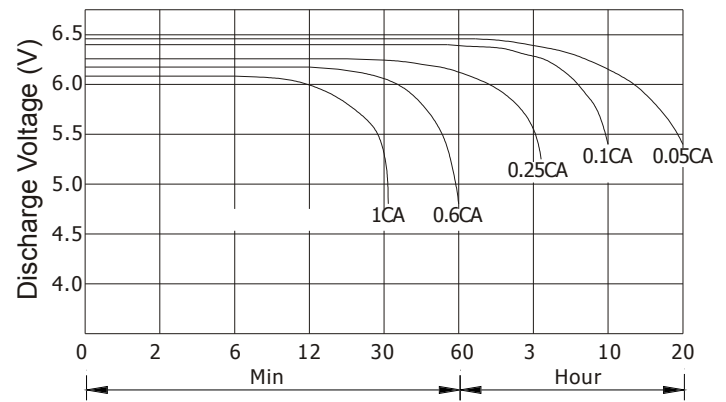
Ultrace//[®]

'Quality in Every Language'

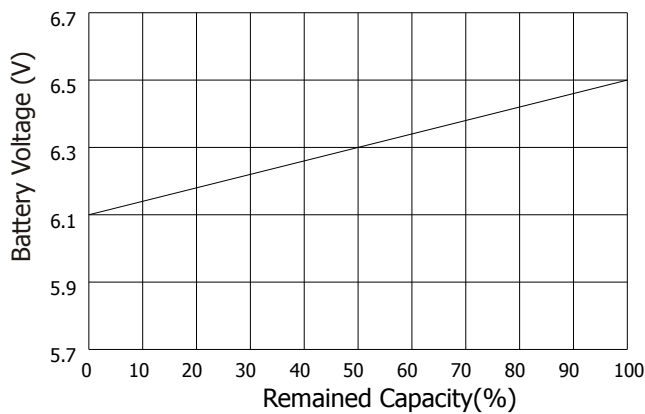
Charge Characteristic



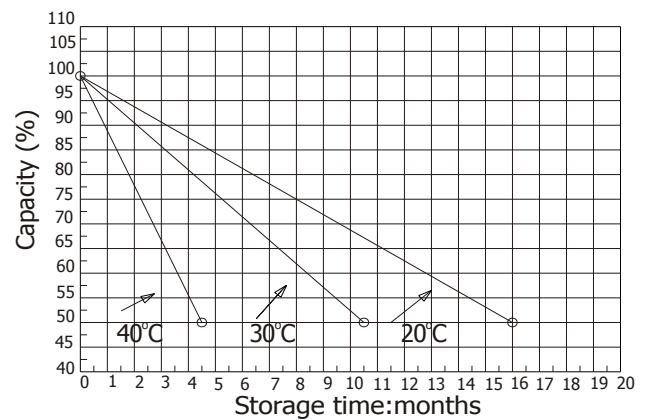
Discharge Characteristic 25°C



Relationship of OCV and state of charge



Self Discharge Characteristics



Constant Current Discharge Ratings - amperes at 25°C

F.V / Time	5 MIN	10 MIN	15 MIN	30 MIN	1 HR	3 HR	5 HR	10 HR	20 HR
1.60 V	27.3	17.1	12.9	7.83	4.20	2.01	1.29	0.71	0.39
1.67 V	25.6	16.3	12.4	7.48	4.15	1.89	1.25	0.70	0.39
1.70 V	23.4	15.7	12.2	6.94	4.01	1.75	1.22	0.68	0.36
1.75 V	23.0	15.2	11.8	6.59	3.79	1.68	1.19	0.67	0.35
1.80 V	20.5	14.5	10.7	6.09	3.50	1.59	1.18	0.67	0.34
1.85 V	18.2	13.8	9.6	5.60	3.21	1.55	1.13	0.66	0.34

Constant Power Discharge Ratings - watts at 25°C

F.V / Time	5 MIN	10 MIN	15 MIN	30 MIN	1 HR	3 HR	5 HR	10 HR	20 HR
1.60 V	56.1	36.5	28.0	16.1	9.10	3.55	2.41	1.34	0.71
1.67 V	54.3	35.8	27.5	16.0	9.01	3.53	2.41	1.34	0.71
1.70 V	51.9	34.8	26.9	15.8	8.90	3.50	2.40	1.33	0.70
1.75 V	48.9	33.7	26.1	15.4	8.75	3.47	2.38	1.32	0.70
1.80 V	42.2	31.1	24.9	14.8	8.49	3.40	2.34	1.31	0.69
1.85 V	40.2	30.2	23.8	14.2	8.29	3.34	2.21	1.31	0.69